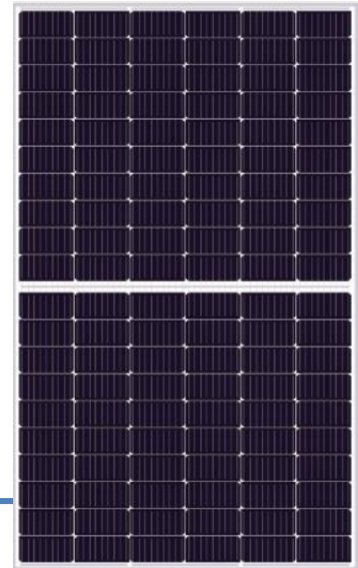




HW-M6/120H(350-370)

High Efficiency Mono Solar Module



Introduction

MBB and high-density interconnect technology improves power output and module efficiency.

Deploying advanced non-destructive cutting and half-cut technology, the Module features excellent Mechanical performance.



Excellent power generation performance

0/+5W positive power tolerance
Improved low light irradiance performance and low degradation



Advanced production process

Optimized MBB design
Cell efficiency >23.0%



Stable mechanical performance

Passed rigorous hail test
Withstands 5400Pa snow and 2400Pa wind loads



Superior quality control

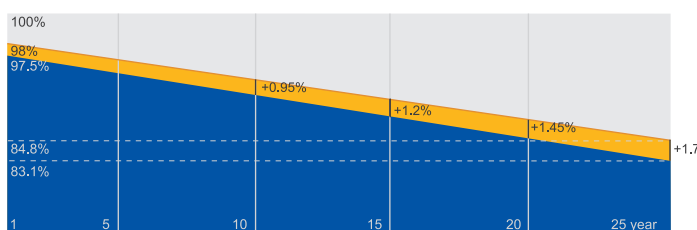
Full automatic production line
100% three times EL and appearance inspection

Certificate

TUV: EN IEC 61215, EN IEC 61730
GB/T 19001-2016/ISO 9001:2015
GB/T 24001-2016/ISO 14001:2015
GB/T 45001-2020/ISO 45001:2018



Warranty



■ New linear power warranty ■ Standard module linear power warranty

Hiwatt Solar Limited

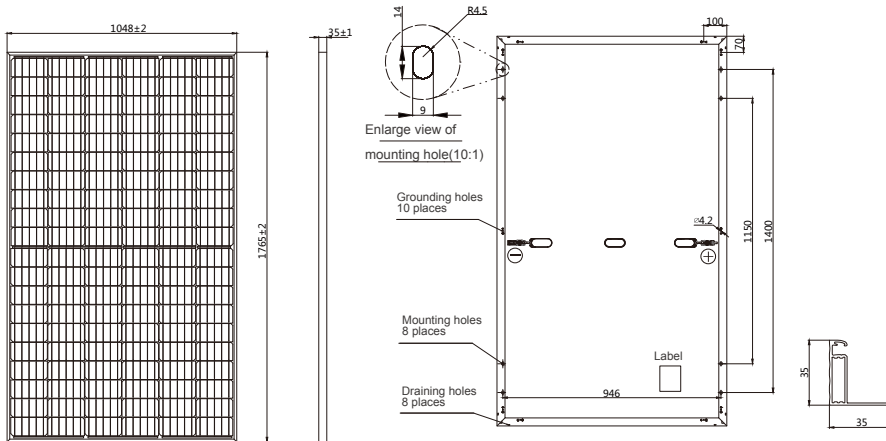
No.6, Fazhan Road, Dongtai city, Jiangsu, China

Tel:+86-523-89118897

Email: Info@hiwattsolar.com

Web: www.hiwattsolar.com

MECHANICAL DIAGRAMS



SPECIFICATIONS

Solar Cells	Monocrystalline
No. Of Cells	120(6x20)
Dimensions	1755x1038x35mm
Weight	20.5kgs
Junction Box	IP 68, 3 Diodes
Cables	4.0mm ²
Connectors	QC 4.10-35(1500V)

ELECTRICAL DATA (STC)

Parameter	350	355	360	365	370
Peak Power Watts-PMAX (Wp)	350	355	360	365	370
Power Tolerance-PMAX (W)	0 ~ +5				
Maximum Power Voltage -VMPP (V)	33.3	33.5	33.7	33.9	34.1
Maximum Power Current -IMPP (A)	10.52	10.61	10.69	10.78	10.86
Open Circuit Voltage -VOC (V)	40.0	40.2	40.4	40.6	40.8
Short Circuit Current -ISC (A)	11.28	11.33	11.40	11.47	11.54
Module Efficiency (%)	18.9	19.2	19.5	19.7	20.0

STC: Irradiance 1000W/m², Cell Temperature 25°C, Air Mass AM1.5.

ELECTRICAL DATA (NOCT)

Parameter	261	265	269	272	276
Maximum Power-PMAX (Wp)	261	265	269	272	276
Maximum Power Voltage -VMPP (V)	31.0	31.2	31.4	31.6	31.8
Maximum Power Current -IMPP (A)	8.41	8.48	8.55	8.62	8.68
Open Circuit Voltage -VOC (V)	37.6	37.8	38.0	38.2	38.4
Short Circuit Current -ISC (A)	9.10	9.14	9.20	9.25	9.31

NOCT: Irradiance at 800W/m², Ambient Temperature 20°C, Wind Speed 1m/s.

TEMPERATURE RATINGS

NOCT(Nominal Operating Cell Temperature)	43°C (±2°C)
Temperature Coe-cient of PMAX	- 0.34%/°C
Temperature Coe-cient of VOC	- 0.25%/°C
Temperature Coe-cient of ISC	0.04%/°C

MAXIMUM RATINGS

Operational Temperature	-40~+85°C
Maximum System Voltage	1500V DC (IEC)
Max Series Fuse Rating	30A

PACKAGING

Modules per box:	31 pieces
Modules per 40' container:	858 pieces

WARRANTY

12 year Product Workmanship Warranty
 25 year Power Warranty
 0.55% Annual Power Attenuation
 2% first year degradation

CHARACTERISTICS

